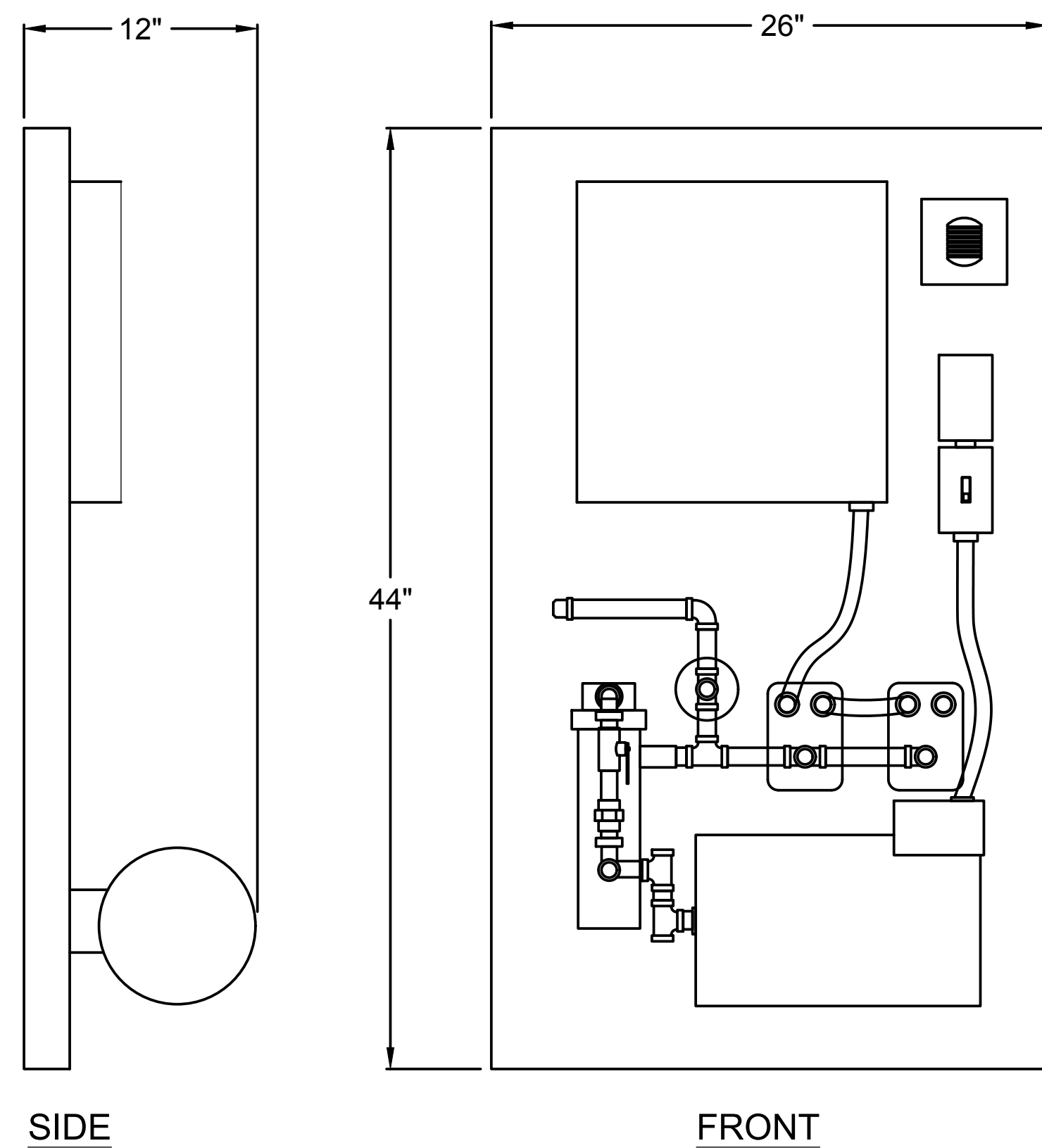
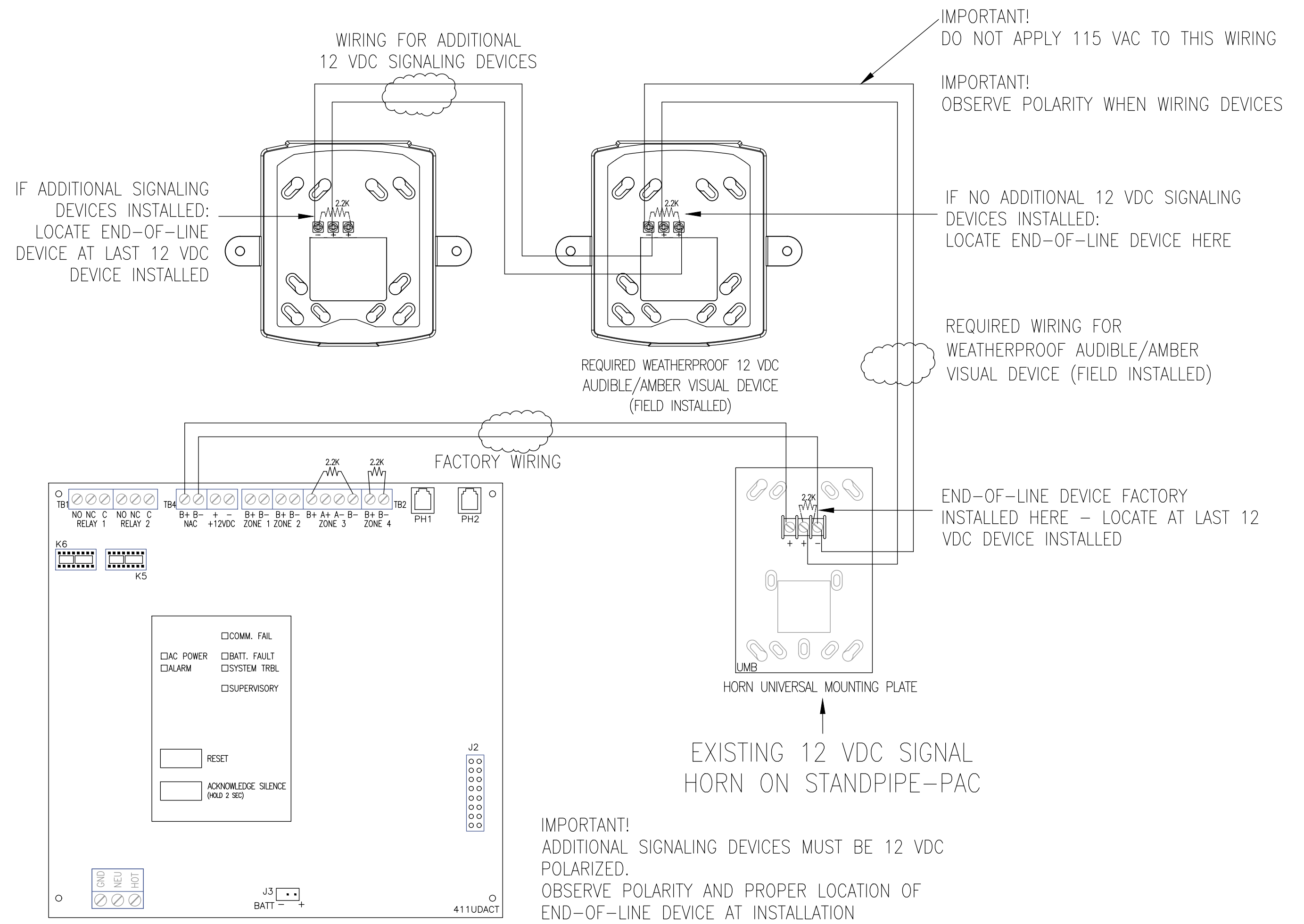


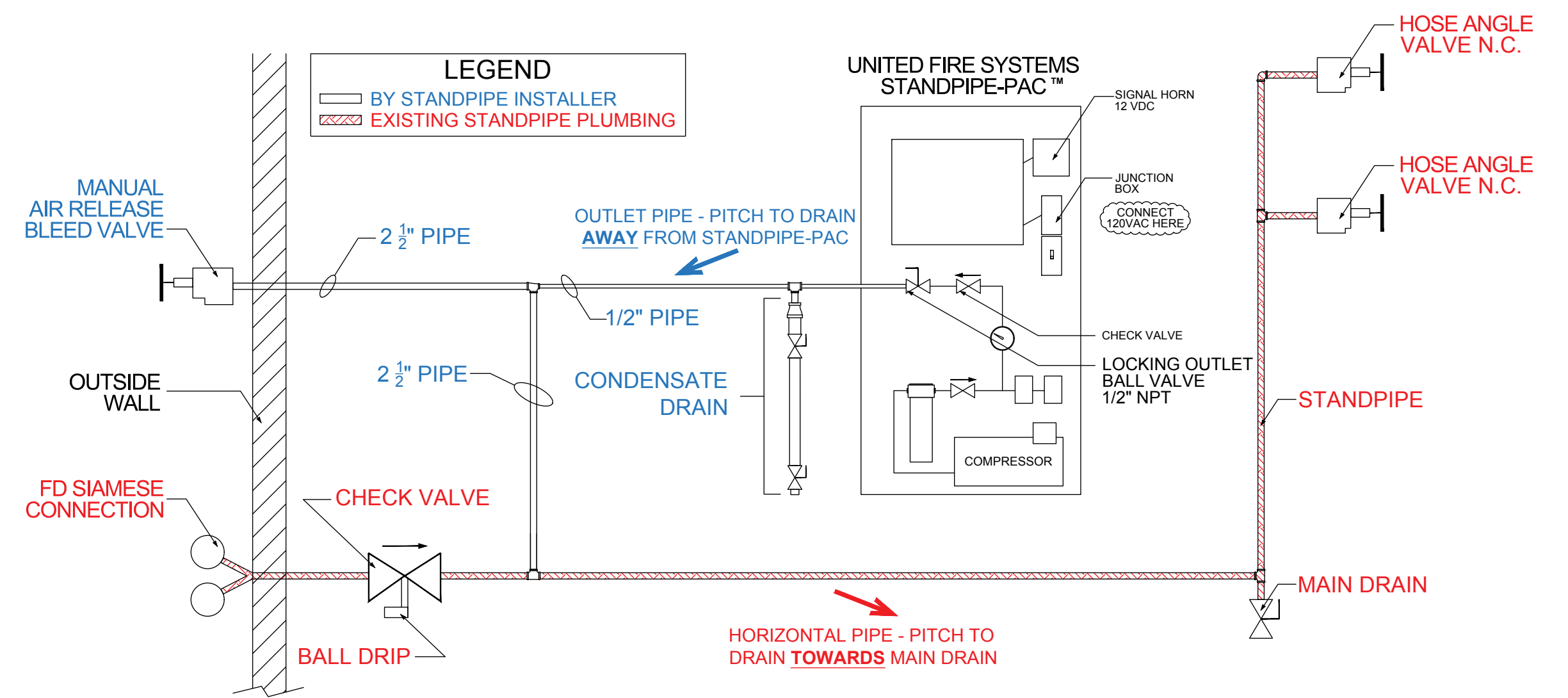
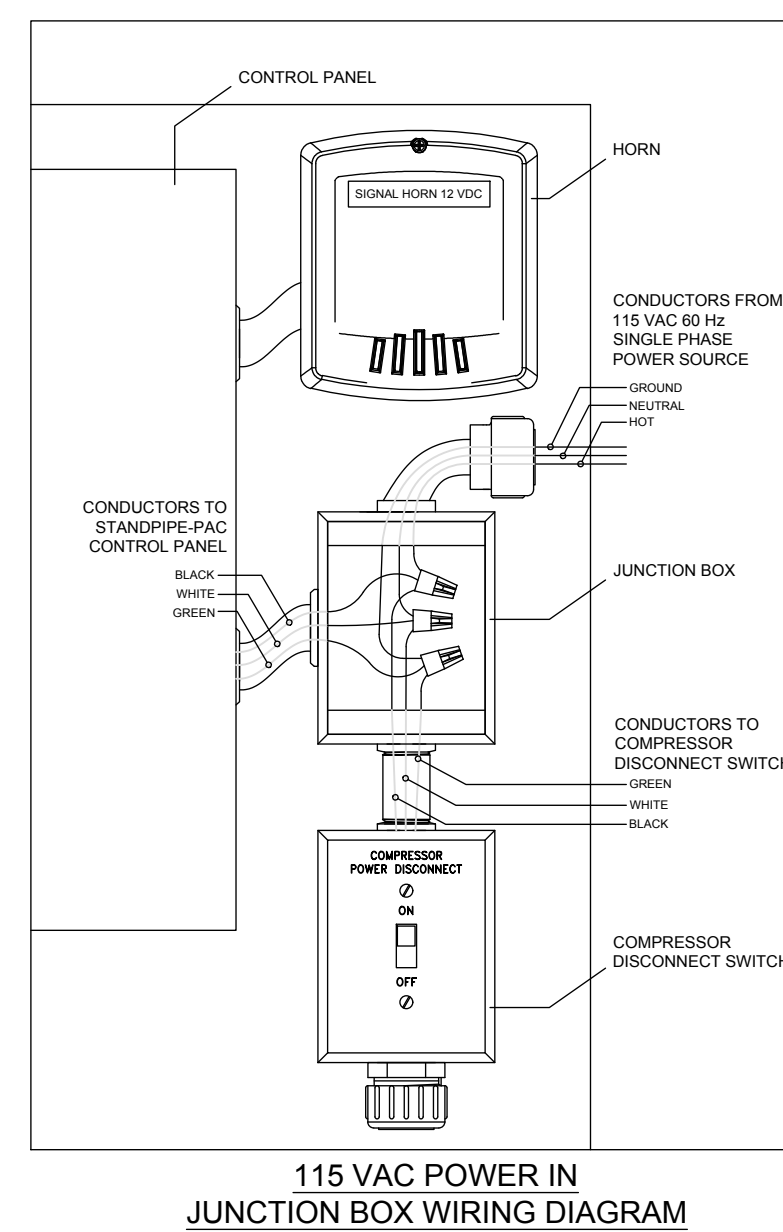
GENERAL ARRANGEMENT



INSTALLATION DIMENSIONS



WIRING DIAGRAM - BOSTON SIGNALING DEVICES



FIELD CONNECTION DIAGRAM

REV	DATE	DESCRIPTION
1.00	27 FEB 2018	RELEASED
1.01	05 DEC 2018	REVISED: FIELD CONNECTION DIAGRAM

UNITED FIRE SYSTEMS
 1 MARK ROAD
 KENILWORTH, N.J. 07033
 TEL (908)688-0300
 FAX (908)688-0218

SCALE	NO SCALE
DESIGNED BY	J GAMBOA
CHECKED BY	S SLONSKI
SPECIFICATION ID	SPCD-BOS 1.01
DATE	27 FEB 2018
SHEET	1 OF 1