



**NEW YORK CITY
and
BOSTON**

**Data Sheet UFS-213
Rev 1.01 Page 1 of 2**



STANDPIPE-PAC XL

FEATURES

- Custom-engineered for any volume of dry standpipe system
- Meets all requirements of NYC and Boston laws
- Includes these required features:
 - Pressure switches operating on pressure drop and over 25 PSIG
 - Local audible signal
 - Remote audible / amber visual signal (Boston)
 - Active, dedicated power supply
 - Check valve to prevent water from entering compressor
 - Air dryer (on-board desiccant dryer or external refrigerated dryer)
 - Lockable shutoff valve
 - Manual air release valve (to be field-installed)
 - External pressure source (optional air compressors available)
- Additional features included at no extra cost:
 - Silenceable audible signals
 - Provision for additional silenceable audible / visual devices
 - Power backup batteries (min. 24 hours capacity)
 - Local gauge to monitor air pressure
 - Auxiliary condensate drain device to help prevent water blockage
 - Connection for optional off-site digital communication
- Main assembly is fully factory assembled and tested
- Just connect to 120 VAC and pressure source
- Easy-to-follow instructions on main assembly
- Full instructions for installation and testing

BENEFITS

- Satisfies NYC or Boston requirements without complex engineering, design and procurement
- Easy inspection and maintenance
- Rugged assembly for use on construction or demolition sites
- Quick commissioning - just place, connect, and it's ready
- Reliable, dependable protection that functions as designed
- Expert in-house field and technical support

DESCRIPTION

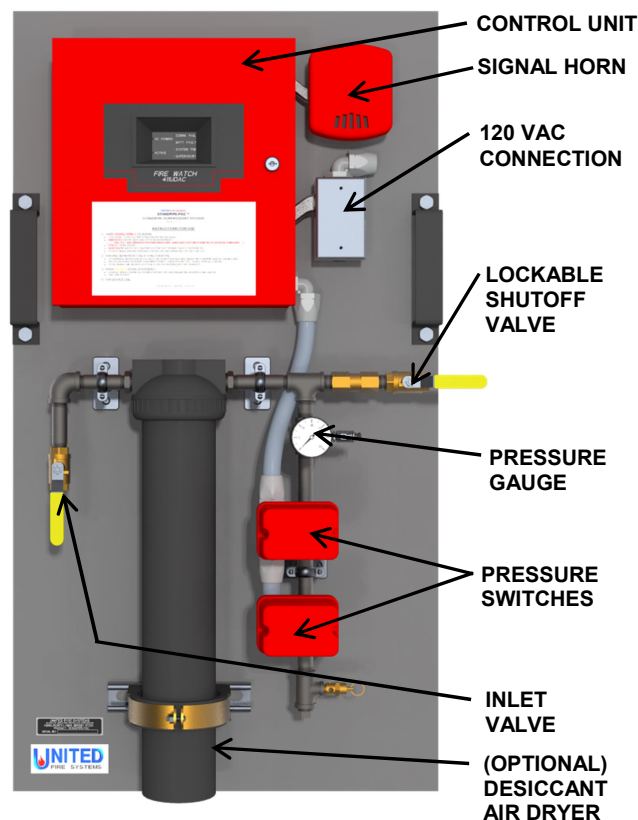
The **UNITED Fire Systems STANDPIPE-PAC™ XL** is a fully functional dry standpipe supervisory system, capable of being custom-engineered for any combination of dry standpipe volumes. The system includes an external air pressure source, air drying method, control and signaling pressure switches, audible (and optional visual) signal, and control unit making up a complete system. All control components are mounted on a sturdy wooden backboard, suitable for placement at a building construction or demolition site having dry standpipe(s) requiring supervision in accordance with applicable Authority Having Jurisdiction requirements.

NYC Local Law 64 / BC 3303.8.1 and Boston FD TCM3-51725

Laws in New York City and Boston have been implemented in response to serious difficulties encountered by fire departments when fire standpipes at construction and demolition sites were damaged, rendering the standpipes unsuitable for fire department use. These laws require that all fire standpipes in vacant buildings, buildings undergoing demolition, and required permanent or temporary standpipes in buildings under construction be equipped with a system to pressurize the standpipe at all times, which then senses the pressure loss if a portion of the standpipe is damaged or completely removed. Detailed requirements for the system are specified in the applicable laws. **STANDPIPE-PAC™ XL** has been designed to aid in compliance with the requirements of these laws.

Custom Engineered

Each **STANDPIPE-PAC™ XL** system is custom-engineered by **UNITED Fire Systems** to specifically suit the application. We assess the volume of all dry standpipes, the requirements of the Authority Having Jurisdiction, and any other requirements of the registered design professional. Our final deliverable includes a complete bill of material to make completion of the system very simple.



For additional information, downloadable architect's specifications, and drawing details, go to unitedfiresystems.com/standpipepac

UNITED Fire Systems

Division of United Fire Protection Corporation
1 MARK ROAD
KENILWORTH, NJ 07033 USA
PHONE: 908-688-0300 FAX: 908-688-0218
unitedfiresystems.com

This literature is provided for informational purposes only. United Fire Protection Corporation assumes no responsibility for the product's suitability for a particular application. The product must be properly applied to perform as intended. The information in this document is believed to be correct at the time of publication. UNITED Fire Systems reserves the right to add to, delete, or revise any information in this document without notice.



Data Sheet UFS-213
Rev 1.01 Page 2 of 2

STANDPIPE-PAC XL

Air Drying Method

To minimize the possibility of internal pipe corrosion and to avoid ice plugs in freezing conditions, it is vitally important that the compressed air introduced into the standpipe is as dry as possible. **UNITED Fire Systems** offers two (2) methods of compressed air drying:

- A desiccant air dryer, attached to the STANDPIPE-PAC XL assembly, for smaller systems.
- A refrigerated air dryer, separate from the STANDPIPE-PAC™ XL assembly, for larger systems.

UNITED Fire Systems will assess each application, and include the most suitable air drying method.

Included With STANDPIPE-PAC™ XL Assembly

- (1) STANDPIPE-PAC™ XL Assembly
- (1) Battery, 12 VDC, 7.5 A-H
- (1) Manual Air Release Bleed Valve with Cap & Chain and Nameplate
- (1) Auxiliary Condensate Device Kit with Nameplate
- (1) Design, Installation, Operation, and Maintenance Manual
- (1) Control Unit Instruction Manual

Specifications

- Low Pressure Switch Setpoint: Sends signal to control unit when air pressure in standpipe drops below 7 PSIG (48 kPa gauge).
- High Pressure Switch Setpoint: Sends signal to control unit when air pressure in standpoint rises above 23 PSIG (150 kPa gauge).
- Mounting Backboard: 3/4 inch (19 mm) nominal thickness plywood, painted gray.
- Dimensions: 24" (610 mm) wide x 44" (1120 mm) high.
- Approximate weight; 60 lbs. (27 kg).
- Power requirement: 120 VAC, 60 Hz, single-phase, 1 amp.
- Maximum nominal airflow delivery rate (desiccant dryer versions): 15 SCFM @ 100 PSIG.

Important To Know

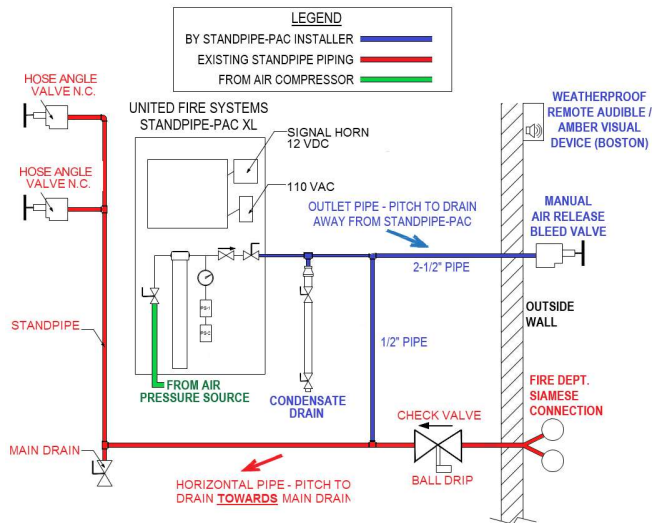
1. To review NYC Local Law 64 / BC 3303.8.1 and Boston FD TCM3-51725 in detail, visit unitedfiresystems.com/standpipepac.
2. NYC and Boston require that an application to install an air pressurized alarm system be filed by a registered design professional, and a permit obtained by a master plumber or licensed master fire protection contractor. A licensed electrician shall obtain all required electrical permits.
3. Fill time is important for estimating downtime when standpipes are added to or sections are removed. A quicker fill time allows the standpipe to be returned to service sooner. All construction and demolition operations must cease if the standpipes are not restored within a maximum time after impairment. The maximum impairment times by each Authority Having Jurisdiction are:
 - NYC - BC 3303.8.1 Section 5 = **2 hours**
 - Boston - FD TCM3-51725 = **4 hours**
4. **UNITED Fire Systems** will custom-engineer each STANDPIPE-PAC™ XL system per the requirements of the application. Please provide the following information:
 - Number of standpipes.
 - Volume (in gallons) of each standpipe.
 - Authority Having Jurisdiction.
 - Requirements of the Registered Design Professional

Ordering Information

Part Number	Description
SSS-100-XL1	STANDPIPE-PAC™ XL for New York City
	Includes desiccant dryer
SSS-100-XL2	STANDPIPE-PAC XL for New York City
	No desiccant dryer - Use refrigerated dryer
SSS-101-XL1	STANDPIPE-PAC™ XL for Boston
	Includes desiccant dryer
SSS-101-XL2	STANDPIPE-PAC XL for Boston
	No desiccant dryer - Use refrigerated dryer
Optional Air Compressor Contact UNITED Fire Systems for air compressor choice.	
Optional Refrigerated Dryer Contact UNITED Fire Systems for refrigerated dryer choice.	

Additional Components Available

Part Number	Description
06-100004-000	Additional Bleed Valve for Fire Dept. Use
06-100004-001	Cap and Chain for Bleed Valve 06-100004-000
10-440001-000	Nameplate, for Bleed Valve 06-100004-000
03-100006-201	Horn, 12 VDC, with Weatherproof Backbox
03-100008-100	Nameplate, for Horn 03-100008-100
03-100006-101	Horn / Strobe, 12 VDC
03-100007-101	Lens, Amber, For Horn / Strobe
03-100008-101	Nameplate, for Horn / Strobe 03-100006-101



FIELD CONNECTIONS - STANDPIPE-PAC™ XL

UNITED Fire Systems

Division of United Fire Protection Corporation
1 MARK ROAD
KENILWORTH, NJ 07033 USA
PHONE: 908-688-0300 FAX: 908-688-0218
unitedfiresystems.com

This literature is provided for informational purposes only. United Fire Protection Corporation assumes no responsibility for the product's suitability for a particular application. The product must be properly applied to perform as intended. The information in this document is believed to be correct at the time of publication. UNITED Fire Systems reserves the right to add, delete, or revise any information in this document without notice.